



LADDER JACK

- To be used with plank up to 18" wide
- Choice of model for 2 or 3 rungs
- 8 easy angle settings
- Compatible on either side of a ladder
- Welded and riveted assembly for added safety

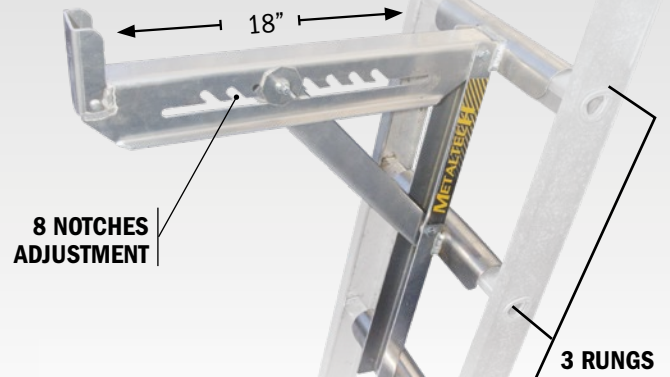
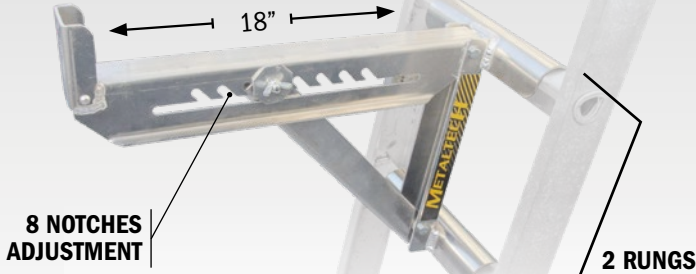
METALTECH

Ladder Jacks shown with Work Plank (model E-PEP7000AL)
and Multi-Position Ladder (model E-MTL7100AL)

**BUILT TOUGH FOR
SAFETY**

**JOBSITE
SERIES**

LADDER JACK



	2 RUNGS LADDER JACK (18 IN.)	2 RUNGS LADDER JACKS (18 IN.)	3 RUNGS LADDER JACK (18 IN.)	3 RUNGS LADDER JACKS (18 IN.)
DIMENSIONS (WXDXH)	21.75 X 10 X 16.75 IN. (55.3 X 25.4 X 42.6 CM)	21.75 X 10 X 16.75 IN. (55.3 X 25.4 X 42.6 CM)	21.75 X 10 X 29 IN. (55.3 X 25.4 X 73.7 CM)	21.75 X 10 X 29 IN. (55.3 X 25.4 X 73.7 CM)
QTY PER BOX	1	2	1	2
LOAD CAPACITY	250 LB (113.4 KG)	250 LB (113.4 KG)	250 LB (113.4 KG)	250 LB (113.4 KG)
ADJUSTABLE	8 NOTCHES OF ANGLE ADJUSTMENT	8 NOTCHES OF ANGLE ADJUSTMENT	8 NOTCHES OF ANGLE ADJUSTMENT	8 NOTCHES OF ANGLE ADJUSTMENT
WEIGHT	4.91 LB (2.23 KG)	9.82 LB (4.45 KG)	6.3 LB (2.85 KG)	12.6 LB (5.72 KG)
FINISH	ALUMINUM	ALUMINUM	ALUMINUM	ALUMINUM
STANDARDS	ANSI, CSA AND OSHA	ANSI, CSA AND OSHA	ANSI, CSA AND OSHA	ANSI, CSA AND OSHA
MODEL	E-LJ20	E-LJ20P	E-LJ30	E-LJ30P
UPC	778300000012	778300000005	778300000029	778300000067



Ladder Jacks shown with Work Plank (model E-PEP7000AL) and Multi-Position Ladder (model E-MTL7100AL)

METALTECH

WWW.METALTECH.CO

1 800 363-7587