



LADDER JACK

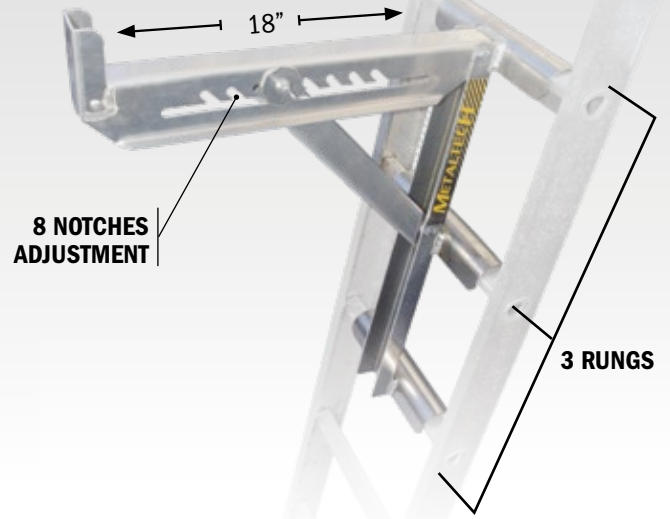
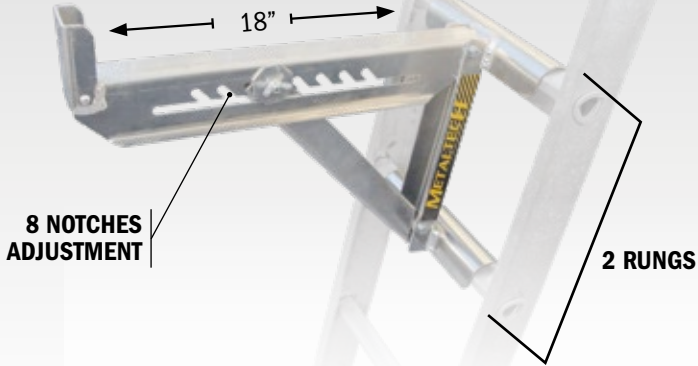
- To be used with plank up to 18" wide
- Choice of model for 2 or 3 rungs
- 8 easy angle settings
- Compatible on either side of a ladder
- Welded and riveted assembly for added safety

METALTECH®

**BUILT TOUGH FOR
SAFETY**

**JOBSITE
SERIES**

LADDER JACK



	2 RUNGS LADDER JACK (18 IN.)	3 RUNGS LADDER JACK (18 IN.)
DIMENSIONS (WXDXH)	21.75 X 10 X 16.75 IN. (55.3 X 25.4 X 42.6 CM)	21.75 X 10 X 29 IN. (55.3 X 25.4 X 73.7 CM)
QTY PER BOX	2	2
LOAD CAPACITY	250 LB (113.4 KG)	250 LB (113.4 KG)
ADJUSTABLE	8 NOTCHES OF ANGLE ADJUSTMENT	8 NOTCHES OF ANGLE ADJUSTMENT
WEIGHT	12 LB (5.4 KG)	15 LB (6.8 KG)
FINISH	ALUMINUM	ALUMINUM
STANDARDS	ANSI, CSA AND OSHA	ANSI, CSA AND OSHA
MODEL	E-LJ20P	E-LJ30P
UPC	778300000005	778300000067



METALTECH

WWW.METALTECH.CO

1 800 363-7587