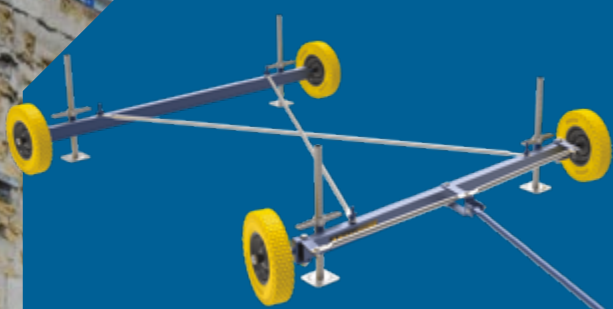


INNOVATION



WAGON

- Designed to fit all lengths of braces
- Quick setup
- Improved stability
- Easier to manage inventory

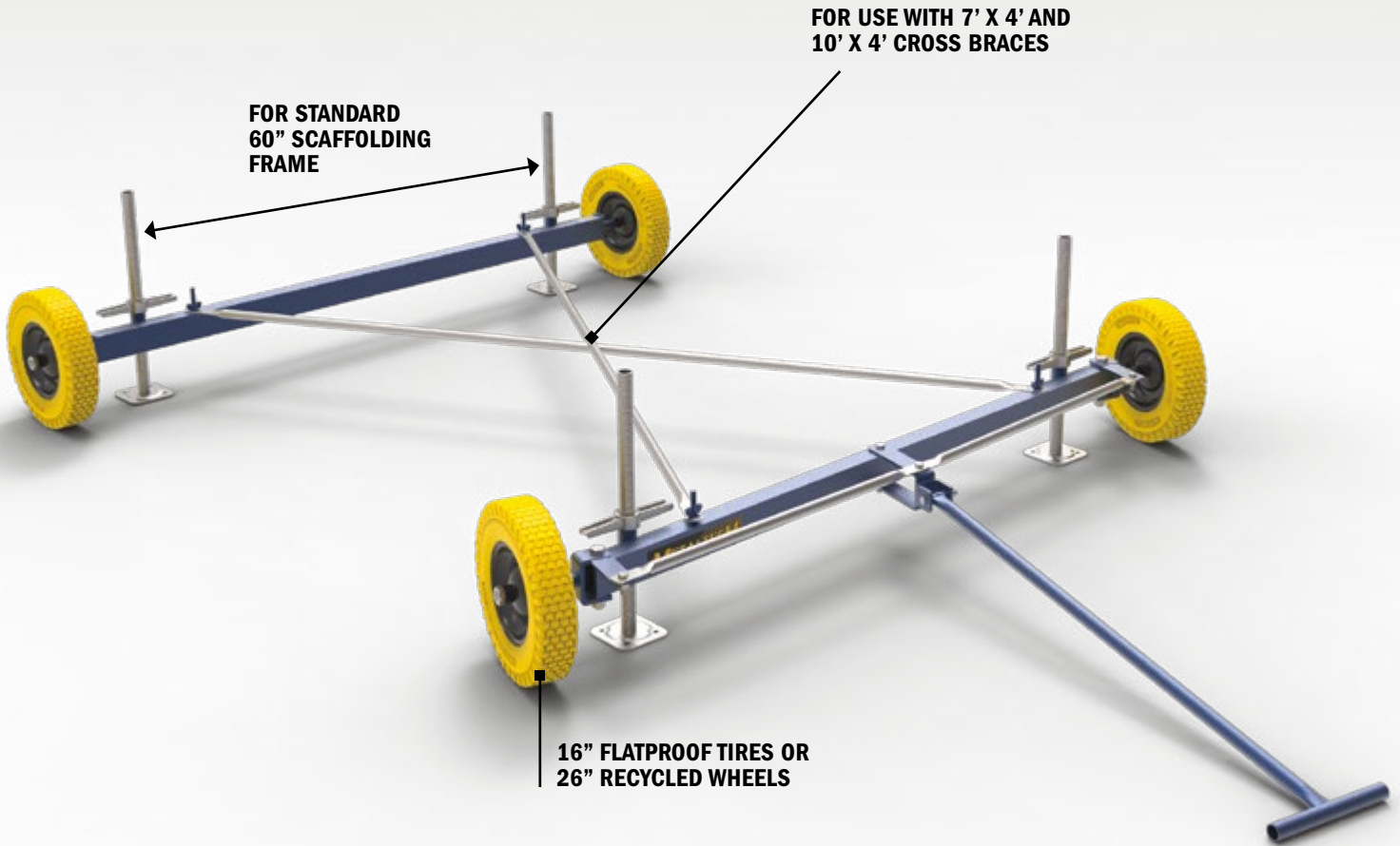
METALTECH®

**BUILT TOUGH FOR
SAFETY**



WAGON

- For standard 60" scaffolding frame
- Designed to fit 7' x 4' and 10' x 4' braces, other sizes available on request
- Fewer parts needed for assembly, easier to manage inventory
- Faster installation
- Longer handle, for better handling of the wagon
- Improved lateral stability
- Fewer components to transport



WAGON WITH 16" WHEELS

DIMENSIONS (WITHOUT HANDLE)	101 X 90 X 57 IN. (256.5 X 228.6 X 144.8 CM)	107.75 X 90 X 60 IN. (271.8 X 228.6 X 152.4 CM)
WHEEL	YELLOW FLATPROOF WHEEL	YELLOW FLATPROOF WHEEL
CROSS BRACE	4 X 7 FT	4 X 10 FT
WEIGHT	146.52 LB (66.46 KG)	150 LB (68.04 KG)
LOAD CAPACITY	1800 LB (817 KG)	1800 LB (817 KG)
MODEL	M-MW716	M-MW1016



WAGON WITH 26" WHEELS

DIMENSIONS (WITHOUT HANDLE)	137 X 90 X 57 IN. (348 X 228.6 X 144.8 CM)	143.75 X 90 X 60 IN. (363.2 X 228.6 X 152.4 CM)
WHEEL	RECYCLED WHEEL	RECYCLED WHEEL
CROSS BRACE	4 X 7 FT	4 X 10 FT
WEIGHT	302 LB (136.98 KG)	305.49 LB (138.57 KG)
LOAD CAPACITY	1800 LB (817 KG)	1800 LB (817 KG)
MODEL	M-MW726	M-MW1026

METALTECH

WWW.METALTECH.CO

1 800 363-7587