

**NEW**



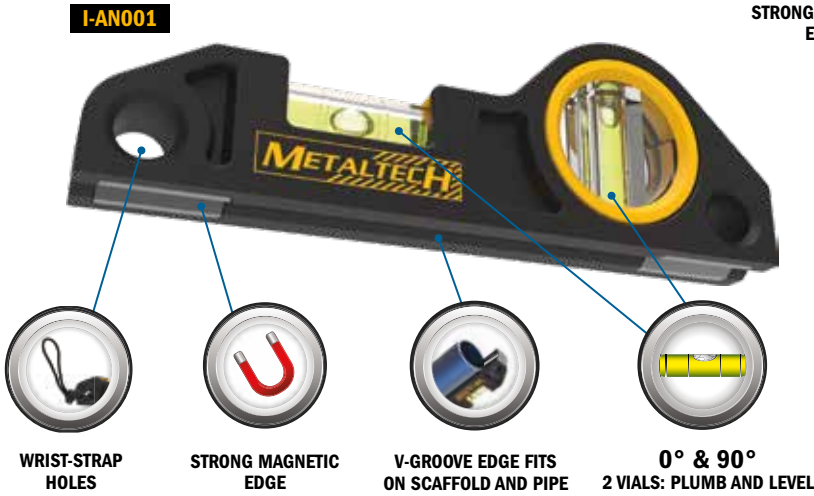
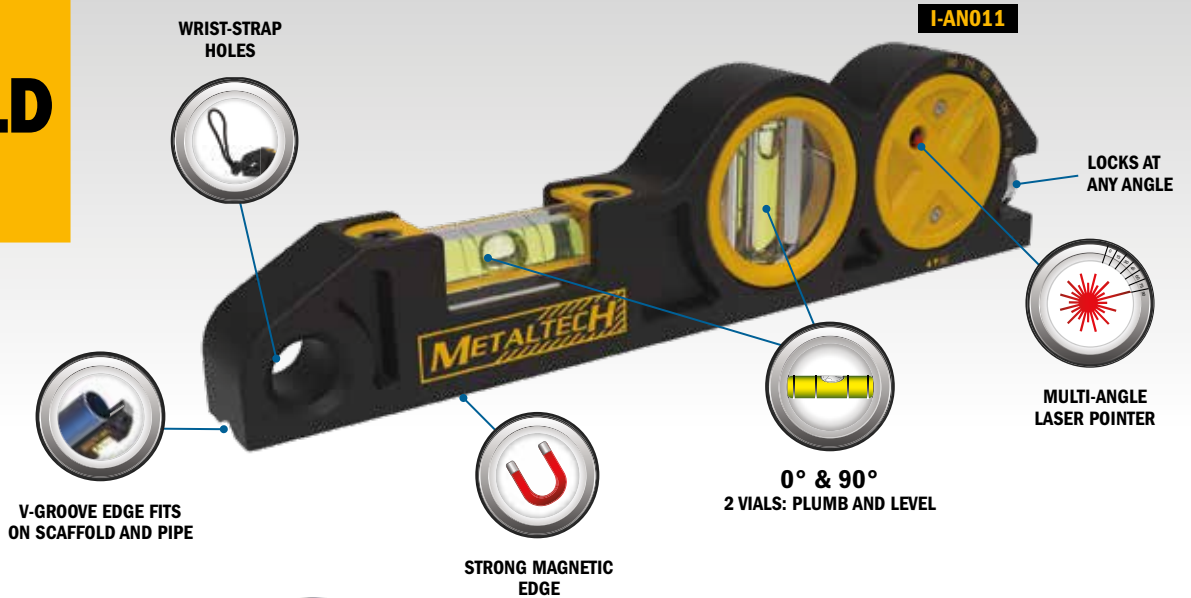
# SCAFFOLD LEVEL

- Compact level that fits in your pocket
- Heavy-duty aluminum construction
- Magnetic V-groove edge fits on scaffolding or pipes

**METALTECH**®



# SCAFFOLD LEVEL



## COMPARISON CHART



MODEL	I-AN001	I-AN011
2 vials: plumb and level	✓	✓
Strong magnetic edge	✓	✓
V-Groove edge that fits on scaffold and pipe	✓	✓
Wrist-strap holes	✓	✓
Multi-angle laser pointer		✓
Batteries included		✓

TECHNICAL FEATURES		
PRODUCT MODEL	I-AN001	I-AN011
DIMENSIONS (W X D X H)	6.25 X 0.75 X 2 IN.	7.9 X 0.75 X 2 IN.
PACKAGING DIMENSIONS (W X D X H)	3 X 8 X 2 IN.	3.5 X 9.5 X 2 IN.
WEIGHT	0.5 LB (0.23 KG)	0.6 LB (0.27 KG)
MATERIAL	ALUMINIUM DIE-CAST	ALUMINIUM DIE-CAST
UPC	778300003204	778300003228



WWW.METALTECH.CO

1 800 363-7587